



A comparative framework for broad-scale plot-based vegetation classification

Miquel De Cáceres, Milan Chytrý, Emiliano Agrillo, Fabio Attorre, Zoltán Botta-Dukát, Jorge Capelo, Bálint Czúcz, Jürgen Dengler, Jörg Ewald, Don Faber-Langendoen, Enrico Feoli, Scott B. Franklin, Rosario Gavilán, François Gillet, Florian Jansen, Borja Jiménez-Alfaro, Pavel Krestov, Flavia Landucci, Attila Lengyel, Javier Loidi, Ladislav Mucina, Robert K. Peet, David W. Roberts, Jan Roleček, Joop H.J. Schaminée, Sebastian Schmidtlein, Jean-Paul Theurillat, Lubomír Tichý, Donald A. Walker, Otto Wildi, Wolfgang Willner & Susan K. Wiser

Keywords

Assignment rule; Braun-Blanquet approach; Classification system; Consistent classification section; EcoVeg approach; Phytosociology; Vegetation continuum; Vegetation type; Vegetation-plot database

Abbreviations

CCS = consistent classification section.

Received 28 January 2015

Accepted 23 April 2015

Co-ordinating Editor: Sam Scheiner

This is a consensus paper based on a workshop organized by the Vegetation Classification Committee of the International Association for Vegetation Science (IAVS) in April 2013 and subsequent discussions.

De Cáceres, M. (corresponding author, miquelcaceres@gmail.com)¹,

Chytrý, M. (chytry@sci.muni.cz)²,

Agrillo, E. (emiliano.agrillo@uniroma1.it)³,

Attorre, F. (fabio.attorre@uniroma1.it)⁴,

Botta-Dukát, Z. (botta-dukát.zoltan@okologia.mta.hu)⁵,

Capelo, J. (jorge.capelo@iniav.pt)⁶,

Czúcz, B. (balint.czucz@okologia.mta.hu)⁵,

Dengler, J. (juergen.dengler@uni-bayreuth.de)^{7,8},

Ewald, J. (joerg.ewald@hswt.de)⁹,

Faber-Langendoen, D. (don_faber-langendoen@naturereserve.org)¹⁰,

Feoli, E. (feoli@units.it)¹¹,

Franklin, S.B. (scott.franklin@unco.edu)¹²,

Gavilán, R. (rgavilan@ucm.es)¹³,

Gillet, F. (francois.gillet@univ-fcomte.fr)¹⁴,

Jansen, F. (jansen@uni-greifswald.de)¹⁵,

Jiménez-Alfaro, B. (borja@sci.muni.cz)²,

Krestov, P. (pavel.krestov@icloud.com)¹⁶,

Landucci, F. (flavia.landucci@gmail.com)²,

Lengyel, A. (lengyel.attila@okologia.mta.hu)⁵,

Loidi, J. (javier.loidi@ehu.es)¹⁷,

Mucina, L. (Laco.Mucina@uwa.edu.au)¹⁸,

Abstract

Aims: Classification of vegetation is an essential tool to describe, understand, predict and manage biodiversity. Given the multiplicity of approaches to classify vegetation, it is important to develop international consensus around a set of general guidelines and purpose-specific standard protocols. Before these goals can be achieved, however, it is necessary to identify and understand the different choices that are made during the process of classifying vegetation. This paper presents a framework to facilitate comparisons between broad-scale plot-based classification approaches.

Results: Our framework is based on the distinction of four structural elements (plot record, vegetation type, consistent classification section and classification system) and two procedural elements (classification protocol and classification approach). For each element we describe essential properties that can be used for comparisons. We also review alternative choices regarding critical decisions of classification approaches; with a special focus on the procedures used to define vegetation types from plot records. We illustrate our comparative framework by applying it to different broad-scale classification approaches.

Conclusions: Our framework will be useful for understanding and comparing plot-based vegetation classification approaches, as well as for integrating classification systems and their sections.

Peet, R.K. (peet@unc.edu)¹⁹,

Roberts, D.W. (droberts@montana.edu)²⁰,

Roleček, J. (honza.rolecek@centrum.cz)²¹,

Schaminée, J.H.J. (joop.schaminee@wur.nl)²²,

Schmidtlein, S. (schmidtlein@kit.edu)²³,

Theurillat, J.-P. (jean-paul.theurillat@unige.ch)^{24,25},

Tichý, L. (tichy@sci.muni.cz)²,

Walker, D.A. (dawalker@alaska.edu)²⁶,

Wildi, O. (otto.wildi@wsl.ch)²⁷,

Willner, W. (wolfgang.willner@vinca.at)²⁸,

Wiser, S.K. (wisers@landcareresearch.co.nz)²⁹

¹Forest Science Center of Catalonia, Ctra. antiga St Llorenç km 2, 25280 Solsona, Spain;

²Department of Botany and Zoology, Masaryk University, Kotlářská 2, 611 37 Brno, Czech Republic;

³Department of Environmental Biology, University of Roma “La Sapienza”, Largo Cristina di Svezia 24, 00165 Roma, Italy;

⁴Department of Environmental Biology, University of Roma “La Sapienza”, P.le Aldo Moro 5, 00185 Roma, Italy;

⁵Institute of Ecology and Botany, MTA Centre for Ecological Research, Alkotmány 2-4, 2163 Vácrátót, Hungary;

⁶Instituto Nacional de Investigação Agrária e Veterinária, Herbarium, Av. da República, Nova Oeiras, 2784-505 Oeiras, Portugal;

⁷Plant Ecology, Bayreuth Center of Ecology and Environmental Research (BayCEER), University of Bayreuth, Universitätsstr. 30, 95447 Bayreuth, Germany;

⁸Synthesis Centre (sDiv), German Centre for Integrative Biodiversity Research (iDiv) Halle-

Jena-Leipzig, Deutscher Platz 5e, 04103 Leipzig, Germany;

⁹Faculty of Forestry, University of Applied Sciences Weihenstephan-Triesdorf, Hans-Carl-von-Carlowitz-Platz 3, 85354 Freising, Germany;

¹⁰Conservation Science Division, NatureServe, 4600 North Fairfax Drive, 7th Floor, Arlington, VA 22203, USA;

¹¹Department of Life Sciences, University of Trieste, Via Giorgieri 10, TS 34127 Trieste, Italy;

¹²School of Biological Sciences, University of Northern Colorado, 501 20th St., Greeley, CO 80639, USA;

¹³Departamento de Biología Vegetal II, Facultad de Farmacia, Universidad Complutense, 28040 Madrid, Spain;

¹⁴UMR 6249 Chrono-environnement, University of Franche-Comté – CNRS, 16 route de Gray, 25030 Besançon Cedex, France;

¹⁵Institute of Botany and Landscape Ecology, University of Greifswald, Soldmannstr. 15, 17489 Greifswald, Germany;

¹⁶Botanical Garden-Institute of the Far Eastern Branch of the Russian Academy of Sciences, Vladivostok 690024, Russia;

¹⁷Department of Plant Biology and Ecology, University of the Basque Country (UPV/EHU), Ap. 644. 48080 Bilbao, Spain;

¹⁸School of Plant Biology, The University of Western Australia, 35 Stirling Hwy, Crawley, 6009 Perth, WA, Australia;

¹⁹Department of Biology, University of North Carolina, Chapel Hill, NC 27599-3280, USA;

²⁰Ecology Department, Montana State University, Bozeman, MT 59717-3460, USA;

²¹Department of Vegetation Ecology, Institute of Botany, The Czech Academy of Sciences, Lidická 25/27, 602 00 Brno, Czech Republic;

²²Alterra WUR and Radboud University Nijmegen, P.O. Box 47, 6700 AA Wageningen, the Netherlands;

²³Institute of Geography and Geoecology, Karlsruhe Institute of Technology (KIT), Kaiserstr. 12, 76131 Karlsruhe, Germany;

²⁴Fondation J.-M. Aubert, Case postale 71, 1938 Champex-Lac, Switzerland;

²⁵Section de Biologie, Université de Genève, Case postale 60, 1292 Chambésy, Switzerland;

²⁶Institute of Arctic Biology and Department of Biology and Wildlife, University of Alaska Fairbanks, Fairbanks, AK 99775, USA;

²⁷Biodiversity and Conservation Ecology, WSL Swiss Federal Institute of Forest, Snow and Landscape Research, 8903 Birmensdorf, Switzerland;

²⁸Vienna Institute for Nature Conservation and Analyses, Giessergasse 6/7, 1090 Vienna, Austria;

²⁹Landcare Research, PO Box 69040, Lincoln 7640, New Zealand

Introduction

Humans have an inherent need to classify in order to make sense of the world around them. The term *classification* can refer to either the activity of defining classes of objects or the outcome of such activity (Everitt et al. 2011). Vegetation classification aims to summarize the spatial and temporal variation of vegetation using a limited number of abstract entities. These are often called *vegetation types*, and we will follow this convention here. The typologies produced by vegetation classification are useful for multiple purposes (Dengler et al. 2008), including: (1) communication about complex vegetation patterns; (2) formulation of hypotheses about the ecological and evolutionary processes shaping these patterns; (3) creation of maps to display the spatial variation of vegetation and related ecosystem properties and services; (4) surveying, monitoring and reporting plant and animal populations, communities and their habitats; and (5) development of coherent management and conservation strategies.

Vegetation changes over time and space as a result of ecological processes acting on plant populations and communities at different temporal and spatial scales. In addition, the quality and quantity of information available about vegetation patterns changes as new vegetation data become available. These two facts have important implications for the stability of classifications. Far from being static or finished products, vegetation classifications need to be continually updated and refined in order to appropriately integrate and summarize all available information (Mucina 1997; Peet & Roberts 2013; Wisser & De Cáceres 2013). In other cases, the need to update vegetation classifications

arises from changes in the taxonomy of the plants that sustain the classification. This dynamic perspective contrasts with the need to maintain descriptions and access to the vegetation types already in use (in vegetation maps, biodiversity reports, etc.), a requirement that is especially important for the conservation of habitats (e.g. Jennings et al. 2009; Neldner et al. 2012; European Commission 2013). Hence, a vegetation classification may be understood as a set of vegetation types where new types may be added if needed, but where previously defined types may be modified or discarded only after careful reflection (Jennings et al. 2009; Peet & Roberts 2013).

The beginnings of vegetation classification can be traced to the 19th century, with the pioneering, mainly qualitative, works of early plant geographers (e.g. von Humboldt 1807; Grisebach 1838; De Candolle 1855). However, the majority of conceptual and methodological developments were made during the 20th century. Different traditions were developed and pursued during this period (see Whittaker 1978a; Mucina 1997), including the spread of numerical approaches in the 1960s and 1970s (Mucina & van der Maarel 1989). The long history of vegetation classification has resulted in an extensive literature, with different approaches emphasizing different characteristics and often adopting different classification procedures (Mueller-Dombois & Ellenberg 1974; Whittaker 1978c; Dierschke 1994; Dengler et al. 2008; Kent 2012; Peet & Roberts 2013). Moreover, vegetation classifications, although often following similar principles, have usually evolved quite idiosyncratically and without reporting clear formal procedures regarding how to extend or modify them.

Recently, there has been a renewed interest in vegetation classification worldwide and efforts have been made at the national and international level to develop new classification systems using standardized procedures (e.g. Rodwell 1991–2000; Schaminée et al. 1995; ESCAVI 2003; Jennings et al. 2009; Faber-Langendoen et al. 2014). Moreover, there is growing interest in harmonizing approaches worldwide and standardizing the information content of classifications that serve similar purposes. This interest is motivated by the need to both increase the usefulness of vegetation typologies and to enhance the acceptance of their scientific underpinnings. In order to advance toward classification practices that enjoy broad international acceptance, it is first necessary to develop a general framework in which the concepts and criteria of classification approaches can be appropriately described and compared. Such a framework would be useful to those trying to integrate existing classifications and to those initiating new vegetation classification projects. This paper aims at developing such a framework, and represents an attempt towards crafting a global consensus perspective in this subject.

Because our framework cannot encompass all possible ways to classify vegetation, we focus on approaches dealing with data in the form of vegetation records, each of them describing a plant community occurring in a small and delimited area – a *vegetation plot* – at a given time. Moreover, our framework is mainly directed towards extensive regional, national or international classification initiatives, which are referred to here as *broad-scale* classification projects. These typically involve conducting many classification exercises, each focusing on a particular kind of vegetation, and integrating their results into a single classification system. In the following, we first present the main conceptual elements of our framework, where we distinguish between structural and procedural elements and describe those element properties that are essential for comparisons (section ‘Comparative framework’). We then review critical decisions and alternative choices regarding classification approaches (section ‘Critical decisions: classification approaches and protocols’); with a special emphasis on the procedures used to define vegetation types from plot records (section ‘Critical decisions: plot-based class definition procedures’). After that, we illustrate our comparative framework by using it to briefly describe several classification approaches (section ‘Examples’). We conclude with highlighting what we see as the most important future development needs in this field.

Comparative framework

Structural and procedural elements

In our comparative framework we distinguish between *procedural* and *structural* elements of plot-based classifica-

tion of vegetation (Table 1). Two structural elements, *vegetation-plot record* and *vegetation type*, are well known to vegetation scientists. The most comprehensive structural element is the *classification system*, which we define as *an organized set of vegetation types used to describe the variation of vegetation within given spatial, temporal and ecological scopes*. Examples of classification systems are the British National Vegetation Classification (Rodwell 1991–2000), the US National Vegetation Classification (USFGDC 2008) or the Vegetation of the Czech Republic (Chytrý 2007–2013). Classification systems are often hierarchical, meaning that vegetation types are organized in hierarchical classification levels and qualified using ranks (e.g. association or alliance). In addition, hierarchical systems usually include nested relationships between vegetation types of different ranks.

Broad-scale classification systems often involve sets of vegetation types defined based on varying classification criteria. To account for this variation explicitly, we introduce a new concept called *consistent classification section* (CCS) and define it as *a subset of a classification system where vegetation types are defined using the same criteria and procedures* (i.e. using the same classification protocol; see below). For example, the vegetation types of a CCS may broadly summarize the woody vegetation of a given area on the basis of physiognomy, whereas another may classify the same vegetation based on detailed floristic composition; in this example, the set of vegetation types of each CCS might be placed at different hierarchical levels within the same classification system (e.g. CCSs A and B in Fig. 1a). Classification systems may allow vegetation types of the same hierarchical level, but corresponding to very different kinds of vegetation, to be defined using different criteria. For example, a classification system may allow forest associations to be defined based on the dominant species of the tree layer and species composition of the herb layer, while aquatic associations are defined focusing on the dominant species and its position in the water column; these will represent different CCSs of the same hierarchical level (e.g. CCSs B and C in Fig. 1a; or CCSs A and B in Fig. 1b).

Now we turn our attention to procedural elements. We define *classification protocol* as *the set of criteria and procedures that underlie the creation or modification of a consistent classification section*. For example, the protocol for a set of floristically-based vegetation types may include specifications of field sampling design, plot size, taxonomic resolution, taxon abundance measure, plot resemblance measure, clustering algorithm, etc. Although the focus of our framework is on plot-based classification, we do not require all vegetation types to be defined directly as groups of plot records. Vegeta-

Table 1. Structural and procedural elements in plot-based classification of vegetation. For each element we indicate a set of properties (defined in Table 2) that are essential for comparisons.

	Definition	Properties
Structural Element		
<i>Vegetation-plot record</i>	The set of observations and measurements made on the plant community (and its environmental context) occurring in a given area at a given time	<ul style="list-style-type: none"> • Spatial location and time of survey • Vegetation attributes • Environmental attributes
<i>Vegetation type</i> (also called <i>vegetation unit</i> or <i>plant community type</i>)	An abstract entity that describes and represents a subset of vegetation variation	<ul style="list-style-type: none"> • Extensive class definition • Intensive class definition • Characterization (primary/secondary/spatial/temporal)
Consistent classification section (CCS)	A subset of a classification system where vegetation types are defined using the same classification protocol	<ul style="list-style-type: none"> • Spatial, temporal and ecological (thematic) scopes • Set of vegetation types (incl. nested relationships) • Classification levels • Assignment rules
Classification system	An organized set of vegetation types used to describe the variation of vegetation within given spatial, temporal and ecological scopes	<ul style="list-style-type: none"> • Spatial, temporal and ecological (thematic) scopes • Classification levels • Set of consistent classification sections and their relationships
Procedural Element		
Classification protocol	The set of criteria and procedures that underlie the creation or modification of a consistent classification section	<ul style="list-style-type: none"> • Ecological (or thematic) scope • Typological resolution • Spatial and temporal grains • Primary vegetation attributes • Secondary (incl. constraining) attributes • Class definition procedures
Classification approach	The set of concepts, criteria and procedures that underlie the creation or modification of a classification system	<ul style="list-style-type: none"> • Purpose and general requirements • Ecological (or thematic) scope • Structural requirements • Set of classification protocols

tion types of a given hierarchical rank may be explicitly defined as groups of vegetation types of a lower rank (e.g. CCS A in Fig. 1a). For example, one may define floristically-based alliances after grouping the constancy columns of a synoptic table of associations. Classification protocols of this kind will be qualified as *type-based*, whereas those dealing with plot records directly will be qualified as *plot-based*. The CCS and vegetation types resulting from the application of classification protocols will also be qualified as *type-based* or *plot-based*, accordingly. We will use the term *classification exercise* to denote the application of a classification protocol to a particular subset of the vegetation continuum.

Finally, we define *classification approach* as *the set of concepts, criteria and procedures that underlie the creation or modification of a classification system*. Examples of classification approaches are the Braun-Blanquet approach (Braun-

Blanquet 1964; Westhoff & van der Maarel 1973), the Integrated Synusial approach (Gillet et al. 1991; Gillet & Gallandat 1996) or the EcoVeg approach (Jennings et al. 2009; Faber-Langendoen et al. 2014). Analogously to classification exercises, we will use the term *classification project* to denote the application of a classification approach to a particular subset of the vegetation continuum, an activity that creates or modifies a classification system.

Properties of structural and procedural elements

We provide definitions for the properties of structural and procedural elements in Table 2. These properties are meant to organize the comparison of classifications. For the sake of brevity, we omitted properties of plot records and other properties, such as nomenclatural rules, that are not essential for comparisons. In the following we detail the most important ones.

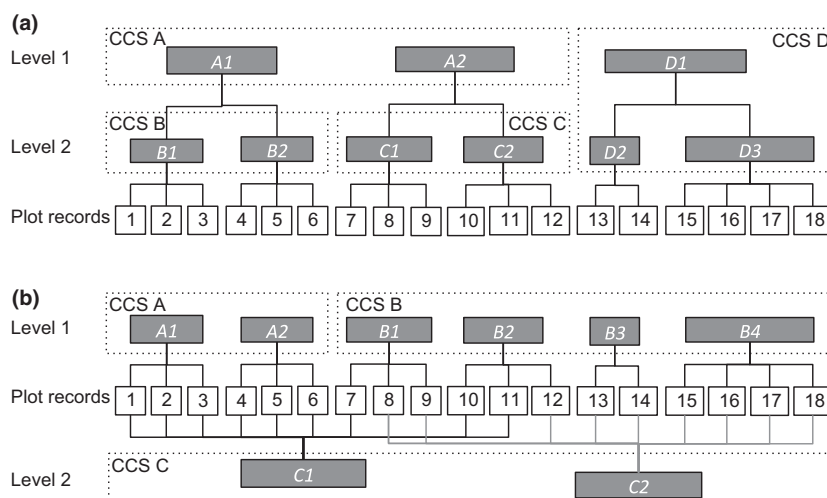


Fig. 1. Examples of two hypothetical classification systems. Vegetation types and plot records are indicated using shaded and empty boxes, respectively. Classification system (a) has two hierarchical levels, nested relationships between types and four consistent classification sections (CCS A–D). Classification system (b) has two classification levels and three CCS (A–C). In system (b) nested relationships between types are not always possible.

The *primary vegetation attributes* of a plot-based classification protocol are the attributes consistently used to determine whether plot records are members of the same or different vegetation types. Analogously, the primary vegetation attributes of a type-based protocol are the attributes consistently used to determine which vegetation types of a lower rank are grouped to form a vegetation type of a higher rank. In both cases, these are attributes of the vegetation itself and not of its environment. Vegetation classifications are often required to describe, reflect or indicate other vegetation characteristics not included in the set of primary attributes, or external factors, such as climatic or edaphic conditions, anthropogenic disturbance regime or biogeographic history. We use *secondary attributes* to collectively refer to all those attributes (whether of vegetation or not) that are not primary vegetation attributes. A special situation arises when a subset of secondary attributes, without being explicitly used to determine membership, are used to constrain the definition of vegetation types. We refer to these as *constraining attributes* of the classification protocol. For example, although ‘classes’ of the Braun-Blanquet approach are defined using floristic composition, a specific subset of plant taxa may be selected as primary attributes in order to make classes distinct in terms of environmental conditions and biogeographic context (e.g. Pignatti et al. 1995). The presence or absence of those taxa is the only information needed to consistently determine membership, but climatic and biogeographic factors have indirectly influenced the definition of vegetation types.

The *extensive class definition* of a plot-based vegetation type is a list of the plot records that belong to it. This list will

be enlarged every time new plot records are assigned to the type. Analogously, the *extensive class definition* of a type-based vegetation type is a list of the vegetation types of the lower rank that belong to it. The *intensive class definition* of a vegetation type is a statement about the values of primary vegetation attributes that are required to be a member (either plots or vegetation types of a lower rank). A broader property of a vegetation type is its *primary characterization* (or description), which includes all statements about primary vegetation attributes. Whereas intensive definitions impose limits to plot membership for a *single* vegetation type, they are often not sufficient to unambiguously determine the membership of a plot record *among* the set of vegetation types that constitute a CCS. We refer to the formal procedures used to determine the membership of new plot records to the predefined vegetation types of a CCS as *assignment rules*. For example, sets of assignment rules may be defined using diagnostic species or species combinations (e.g. Bruelheide 1997; Kočí et al. 2003; Willner 2011; De Cáceres et al. 2012). Because different sets of assignment rules can produce different plot memberships, the definition of a CCS should include a preferred set of assignment rules. To preserve consistency, such set of rules should be able to reproduce the extensive class definition of vegetation types when applied to the original plot records (De Cáceres & Wisser 2012). We refer to these as *consistent assignment rules*. Additional sets of rules of a CCS are referred to as *complementary assignment rules* in our framework. While the attributes used in the consistent rules must be primary vegetation attributes, the attributes used in complementary rules may be either primary or secondary.

Table 2. Properties of structural and procedural elements (the order of properties follows their appearance in Table 1).

	Definition
Properties of Structural Elements	
Extensive class definition	List of the plot records (or vegetation types of lower rank) that are members of the vegetation type
Intensive class definition	The primary attribute values that are required to be a member of the vegetation type
Primary characterization	All statements about the primary attributes of the vegetation type (includes intensive definition)
Secondary characterization	All statements about the secondary attributes of the vegetation type (e.g. altitudinal range)
Spatial characterization	All statements about the spatial dimensions of the vegetation type (e.g. spatial distribution)
Temporal characterization	Statements about the temporal aspects of the vegetation type (e.g. successional relationships)
Spatial scope	Geographical area of interest of a CCS or a classification system
Temporal scope	Time window during which the classification system (or a CCS) is intended to be comprehensively represent the vegetation in the target geographical area
Ecological (thematic) scope	Range of ecosystems described in a classification system or a CCS. The ecological scope of a classification system (respectively, CCS) is limited by the corresponding scope of the approach (resp., protocol) used to create it
Classification level	The set of vegetation types that are given the same qualifier within a classification system. Classification levels often are hierarchically arranged and vegetation types are qualified using ranks
Assignment rules	Formal procedures used to determine the membership of plot records with respect to predefined vegetation types of a given CCS
Properties of Procedural Elements	
Ecological (thematic) scope	Range of ecosystems where a given classification approach or classification protocol is applicable (e.g., a classification system may be restricted to natural vegetation and a classification approach may be valid for aquatic vegetation only)
Typological resolution	Amount of variation that is placed between, as opposed to within, vegetation types
Spatial resolution	Range of vegetation plot sizes that are allowed in a plot-based classification protocol
Temporal resolution	Temporal resolution required for plot records in a plot-based classification protocol (i.e., whether temporal variation is pooled or kept separately)
Primary vegetation attributes	Set of vegetation attributes that are used to determine whether plots records are considered as members of the same or different vegetation types
Secondary attributes	All those attributes (whether of vegetation or not) that are not primary vegetation attributes
Constraining attributes	Set of attributes (not necessarily of vegetation) used to constrain the definition of vegetation types. Constraining attributes are a subset of secondary attributes
Class Definition procedures	Set of procedures used to define new vegetation types, sometimes accounting for pre-existing types of the same CCS
Purpose	Set of applications for which a given classification approach provides useful classification systems
General requirements	Requirements to accept the usefulness of classification systems obtained from the application a given classification approach
Structural requirements	Specifications of a classification approach regarding the number of classification levels and the relationships between types belonging to different CCS

Critical decisions: classification approaches and protocols

Following the terminology presented in the previous section, here we briefly review some of the most important decisions and alternative choices regarding the design of classification approaches and protocols.

General requirements

Guiding principles of classification approaches largely depend on the expected usage of classification systems. Although each stakeholder may tend to tailor a classification approach according to his/her specific needs, we list in Table 3 a set of characteristics that users commonly require from classification approaches.

Structural requirements

Depending on their purpose, classification approaches often specify several hierarchical levels, each describing vegetation using different primary attributes and/or typological resolution. To preserve nested relationships classification approaches have to constrain the definition of the vegetation types of one hierarchical level using the types of the other, either in a *bottom-up* or *top-down* direction (Willner 2011). One possibility to achieve this is to use a single plot-based CCS encompassing several hierarchical levels (e.g. CCS D in Fig. 1a), for example by using hierarchical agglomerative or divisive clustering. A more common approach is to define the vegetation types of the lowest hierarchical level using plot-based classification protocols and then to progressively aggregate them

Table 3. Common requirements for vegetation classification approaches.

Requirement	Explanation
Comprehensiveness	Classification systems should include vegetation types that encompass, as much as possible, the full range of vegetation variation within their spatial, temporal and ecological extents. This includes the need to appropriately summarize transitional and rare plant species assemblages
Consistency	A similar set of concepts and procedures should be consistently used for the definition of vegetation types. Because broad-scale classification projects may address the classification of vegetation with strikingly different features or be intended to satisfy many potential users, it is useful to explicitly define different CCS
Robustness	Minor changes in the input data (e.g. adding or deleting some plot records) should not considerably alter the result of plot-based class definition procedures
Simplicity	A vegetation classification may be difficult to understand and to apply by potential users when vegetation types do not have simple definitions or when assignment rules (or nomenclatural rules) are complex
Distinctiveness of units	Vegetation types should be distinct with respect to the values of the primary vegetation attributes. Distinctiveness may sometimes be artificially increased by the choice of class definition procedures (e.g. sampling design)
Identifiability of units	Vegetation types should be easy to identify in the landscape. This requires clear, reliable and simple assignment rules that may complement the possibly more complex consistent assignment rules
Indication of context	Vegetation types should preferably reflect and be predictive with respect to its context, such as soil conditions, climatic factors, management practices or biogeographic history
Compatibility	Vegetation types of a given classification system may be required to have clear relationships with the vegetation types of other classification systems (whether of vegetation or not) because this facilitates transferring information from one classification system to another

into higher levels using type-based protocols (e.g. CCSs A, B and C in Fig. 1a).

Primary vegetation attributes

An important decision regarding the primary vegetation attributes concerns *the subset of plants of interest*. Plant communities are usually composed of multiple organisms, not all of which may be of interest (Barkman 1980). The choice of the subset of plants of interest may be influenced by the ecological scope of the classification protocol or by technical restrictions. For example, classifications of boreal forests, wherein vascular plant diversity is typically low, often place a high importance on bryophytes and lichens, whereas classifications of temperate forests are generally described in terms of vascular plants only, and tropical forests are often floristically described focusing on a small subset of plants (e.g. woody plants or ferns) owing to their high taxonomic diversity. If the classification is expected to be indicative of the prevailing environmental conditions, an important consideration is whether all plants or plant groups in the community are sensitive to the same environmental factors in the same ways. For example, some understorey plants may respond to the microclimatic and edaphic conditions created by canopy trees more strongly than to the external climatic conditions. To deal with this problem, classification approaches have been proposed that describe different *synusiae* (i.e. assemblages of plants

having similar size and habitat use) and classify them using independent protocols (see subsection ‘Synusial approaches’).

Another decision concerns *the attributes of the plants*, which can be grouped into (a) *structure*: the spatial (horizontal and vertical) arrangement of plants within the plot and their size (e.g. height or trunk diameter); (b) *taxonomy*: the identity of plants (e.g. species or genus); and (c) *morphology and function*: a set of relevant morphological, physiological or phenological plant traits (e.g. life form, leaf size or reproductive strategy). Classification protocols normally combine more than one group of plant attributes. For example, physiognomic approaches often combine information about morphological (life form, leaf type and leaf longevity) and structural components (e.g. Fosberg 1961; UNESCO 1973). A focus on the taxonomy of plants has a great advantage in that it allows additional information to be obtained by linking the taxonomic composition of the vegetation type with taxon attributes or conservation status (e.g. Feoli 1984), hence increasing the value of the classification.

Finally, plant attributes can be considered at different *levels of detail*. For example, the horizontal structure of vegetation can be simply accounted for as open-*versus*-closed vegetation, but it can also be accounted for in more detail by using the percentage of ground surface covered by projection of the canopy. Similarly, different levels of resolution can be used for the taxonomic identity of plants (e.g. species level or family level).

Spatial and temporal resolution

There are practical reasons for requiring a limited range of plot sizes, because the use of records from plots of very different size and forms in a single analysis can introduce various artifacts (Otýpková & Chytrý 2006; Dengler et al. 2009). In general, plot size is decided in accordance with both the purpose and the scale of spatial variation of the factors that determine changes in the primary vegetation attributes (Reed et al. 1993). Sometimes the choice of plot size is adapted to the size of the bigger plants in the vegetation considered (e.g. Barkman 1989; Peet et al. 1998; Chytrý & Otýpková 2003).

The temporal grain of a plot-based protocol is rarely made explicit. However, it is important to define whether a given temporal variation should be addressed using different plot records or not. For example, to address intra-annual (seasonal, phenological) variation of vegetation features, practitioners may sample vegetation at the time of its optimal phenological development only, pool observations from two or more observation dates within the same year (Dierschke 1994) or separate the information from plot records collected during different seasons (Vymazalová et al. 2012).

Class definition procedures

An important decision is the nature of extensive class definitions to be produced. Extensive class definitions can be hard or fuzzy, non-overlapping or overlapping, and some plots may be left unclassified. Users of vegetation classifications have different attitudes with respect to these decisions. For example, one may require every plot record to be assigned to a single vegetation type at each hierarchical level and allow no plot records to remain unclassified (Berg et al. 2004; Willner 2011). This strategy is needed for applications such as vegetation mapping, where crisp boundaries of the mapping units are often required. Alternatively, some outlying plots may be left unclassified and/or overlaps allowed (e.g. Wiser & De Cáceres 2013). This second approach might improve distinctiveness of vegetation types and thus help users understand the concepts represented in the classification, while simultaneously preserving the information on transitional or outlying character of some plots.

Our concept of vegetation type includes both the ideas of 'type' and 'class' (Möller 1993). Accordingly, there are two main perspectives regarding class definition procedures. The first emphasizes the *boundaries* between vegetation units, whereas the second emphasizes central tendencies or *noda* (Poore 1955). We will refer to vegetation types of the first and second kinds as *boundary-based* and *node-based*, respectively. For example, in a plot-based

classification protocol the boundary-based perspective would specify a range of values in primary vegetation attributes, while the node-based perspective would specify the values of its most typical plot records. The choice of boundary-based vs node-based classification profoundly affects the definition of vegetation types and the treatment of intermediate or transitional plot records.

Vegetation types may be defined from expert knowledge, without an explicit use of plot records and/or formal procedures to group them. For example, an expert may produce a set of assignment rules in the form of dichotomous keys (e.g. Barkman 1990). In this approach, the expert is responsible for consistently applying the same set of guiding principles in the definition of vegetation types. In some cases, the expert defines a set of categories for each of the primary vegetation attributes and intensive class definitions are produced as a result of combining those categories (e.g. Dansereau 1951; Beard & Webb 1972; ESCAVI 2003; Gillison 2013). Formal procedures to define vegetation types from plot records often involve different steps (Peet & Roberts 2013; Lengyel & Podani 2015), including the acquisition and preparation of plot data, using a manual or a computer-based algorithm to group plot records, evaluating classification results and characterizing the vegetation types (see section 'Critical decisions: plot-based class definition procedures').

Most legacy classifications include the original type definitions but they do not include reports on class definition procedures. This hinders consistency when trying to modify or extend such classifications. Similarly, formal assignment rules are often not included in legacy classifications, or they are poorly specified. In the latter case, calibration of new assignment rules is required to enable assignments of new plot records to the original vegetation types. The calibration of assignment rules from training data and subsequent application of those rules for assignments is commonly referred to as *supervised classification*. Supervised classification sometimes involves modifying the original definition of vegetation types, because the assignment of the original plot records with the new assignment rules usually does not allow the original extensive class definition to be reproduced exactly (e.g. Kočí et al. 2003).

Application of constraining attributes

Restrictions coming from constraining attributes are often applied when selecting the primary vegetation attributes. For example, morpho-functional classifications of vegetation are often based on those morphological and physiological plant traits that are indicative of their adaptations to the environment in which they live (Gillison 2013). In the case of plot-based classification protocol, restrictions coming from constraining attributes may also be applied at

different stages of the class definition procedures (see section 'Critical decisions: plot-based class definition procedures'). First, a restriction may be implemented by the sampling design. For example, if a set of plot records is collected to reflect some environmental gradient, the classification based on these data will tend to reflect this gradient (Knollová et al. 2005; Cooper et al. 2006). Second, the restriction can be implemented at the stage of grouping plot records, as in constraining groups of plot records to have similar environmental characteristics (e.g. Carleton et al. 1996). Finally, using additional attributes to evaluate the validity of the classification may also constrain the definition of vegetation types. For example, one might examine whether vegetation types can be separated in environmental space (Orlóci 1978; Hakes 1994; Willner 2006).

Critical decisions: plot-based class definition procedures

Acquisition of plot data

Plot records can be obtained by conducting field surveys, which requires deciding a sampling design, or by drawing them from available vegetation-plot databases (Dengler et al. 2011). In both cases one has to specify a sampling design (or a re-sampling design in the case of using databases; De Gruijter et al. 2006). The advantages and drawbacks of different sampling (and re-sampling) designs for vegetation-plot data have been extensively discussed elsewhere (e.g. Kenkel et al. 1989; Knollová et al. 2005; Botta-Dukát et al. 2007; Roleček et al. 2007; Lengyel et al. 2011); we only give a brief summary in Table 4.

In practice, sampling (and re-sampling) designs may combine elements of different approaches (Roleček et al. 2007; Peet & Roberts 2013). It is important to emphasize

that the statistical procedures used to group plot records are descriptive rather than inferential (i.e. they do not involve inference with respect to a larger population). This calls for ensuring comprehensiveness of the sample (i.e. that the selected plot records encompass the full range of vegetation variation within the scope of the classification), a less demanding requirement than ensuring its representativeness (i.e. that the proportions of plot records corresponding to distinct types are in concordance with their frequency in geographical/ecological space).

Preparation of plot data

Broad-scale classification often involves the compilation of plot records from very different sources. This may lead to inconsistencies between plot records included in the data set (see Table 5). Consequently, decisions have to be made to remove, or at least reduce, their effect on the classification (Peet & Roberts 2013).

Grouping plot records

Plot-grouping algorithms produce extensive class definitions from plot records. When no prior information is used regarding membership, plot-grouping algorithms are commonly referred to as *unsupervised classification* or *clustering* (Everitt et al. 2011). There are different ways to introduce previous information on the membership of plot records into clustering procedures, an approach that can be called *semi-supervised classification* (Tichý et al. 2014). For example, one can fix the membership of some objects to certain pre-defined classes (or define which objects should belong to the same or different classes) while new classes are defined using clustering (De Cáceres et al. 2010; Tichý et al. 2014).

Table 4. Summary of advantages and drawbacks of sampling (or re-sampling) designs.

Sampling/Re-sampling	Description	Advantages	Drawbacks
Random sampling	Plot locations randomly chosen over the study area	Suitable for statistical inference (once accounting for autocorrelation)	Tends to miss rare habitats
Systematic sampling	Equally-spaced sampling points over the study area	Optimizes representation across geographic space; delivers optimal estimates with respect to area	Tends to miss rare habitats
Preferential sampling	The observer decides the location of plots after exploring the area of interest and subjectively perceiving vegetation or habitat units	Optimizes representation across ecological space; allows describing rare habitats	Hard to formalize; tends to suffer from preconceived ideas of vegetation types
Stratified random sampling	Plot locations are randomly chosen within strata defined using spatial layers of environmental factors	Optimizes representation across both geographic and ecological spaces	Requires relevant environmental data at fine spatial resolution; is biased by the selection of strata
Resemblance-based re-sampling (from databases)	Selection of plot records that are dissimilar according to some resemblance measure	Avoids the necessity to choose environmental factors	Not applicable for field surveys; limited by the representativeness of the database

Table 5. Common sources of inconsistency when pooling plot data of different origin.

Source of Inconsistency	Explanation
Spatial grain	Plot size affects species richness, within-plot homogeneity, species constancy and therefore comparisons of community composition and structure
Sampling season	The structure and composition of some plant communities can show strong seasonal variation
Subset of plants considered	When pooling plot records of different origin, one should check that the same subsets of plants have been considered in all of them. For example, non-vascular plants or tree seedlings may have been recorded in some plot records but not in others
Taxonomic nomenclature	Pooling plot records of different origin often results in different names for the same entity or identical names for different entities, depending on the taxonomic concepts and determination literature used in a particular region or period
Taxonomic resolution	The amount of detail in the taxonomic identification may vary within or across plot records, especially in regions where the flora is not completely known or where plants are difficult to identify down to the species level
Plant abundance scales	The lack of common measurement scale is problematic for procedures requiring plant abundance measurements
Vegetation layers	The lack of common definition of vegetation layers may be problematic for procedures requiring information about the vertical structure
Functional attributes	Class definition procedures explicitly using morphological or functional attributes will require common measurement scales
Observer bias	Differences in plot records can partly result also from variation in sampling accuracy among field observers (e.g. overlooked or misidentified species, biased cover estimates)

Many plot-grouping algorithms require a resemblance coefficient to be chosen to quantify the similarity or dissimilarity in primary vegetation attributes between plot records, and the consequences of this decision should be understood. This choice will be partly constrained by previous choices of the primary vegetation attributes selected, the field measuring protocols used or abundance scales unified during data preparation. However, additional decisions are still required, such as the appropriateness of applying variable transformations, standardizations or variable weights; or the selection of a resemblance coefficient (e.g. Faith et al. 1987; Shaikat 1989; Legendre & De Cáceres 2013). Finally, resemblances between plot records

may be transformed before clustering (e.g. De'ath 1999; Schmidlein et al. 2010).

Choosing a plot-grouping algorithm entails deciding on many characteristics of the vegetation types that will be defined. Providing a comprehensive review of methodological choices in plot-grouping algorithms is beyond the scope of this paper (but see Podani 1994; Everitt et al. 2011; Kent 2012; Legendre & Legendre 2012; Peet & Roberts 2013; Wildi 2013). Nevertheless, we provide a brief overview of the main advantages and disadvantages of the most commonly used algorithm families (Table 6).

The number of vegetation types to define is a critical decision because it strongly influences typological

Table 6. Plot grouping algorithm families and their advantages and drawbacks.

Algorithm (Examples)	Boundary- or Node-Based	Advantages	Drawbacks
Relevé table sorting (manual or computer-assisted)	Boundary-based or node-based	Produces diagnostic species or species groups	Difficult to implement for large data sets
Hierarchical agglomerative (e.g. UPGMA, beta-flexible)	Boundary-based or node-based	Produces vegetation types at different hierarchical levels; assignment rules can be created <i>a posteriori</i> using cluster resemblance thresholds	Difficult to define new types without rebuilding the whole classification; low robustness to sampling variation due to agglomeration
Hierarchical divisive (e.g. TWINSpan)	Boundary-based	Produces vegetation types at different hierarchical levels; may produce assignment rules	Difficult to define new types without rebuilding the whole classification
Hard partitioning (e.g. K-Means, Partitioning Around Medoids)	Node-based	New types can be defined using semi-supervision; may produce assignment rules	Requires multiple runs for different numbers of clusters to identify best solutions
Fuzzy partitioning (e.g. Fuzzy C-means, Noise Clustering)	Node-based	New types can be defined using semi-supervision; may produce assignment rules; transitions treated explicitly	Requires multiple runs for different numbers of clusters to identify best solutions; requires specifying fuzziness parameters
Constrained classification (e.g. Multivariate Regression Tree)	Boundary-based	Vegetation types reflect differences in environmental conditions	Requires both vegetation and environmental data; produces assignment rules, but these are based on environmental variables

resolution (e.g. a larger number of clusters leads to a finer typological resolution). Alternatively, specifying *a priori* desired resolution for the classification protocol may help determine the number of clusters to be sought. Most non-hierarchical methods require the number of clusters to be specified before executing the algorithm. In hierarchical clustering the number of clusters is either decided *a posteriori* (when cutting the hierarchy) or is a function of a stopping rule (Roleček et al. 2009; Schmidtlein et al. 2010). Although one would be inclined to let the data ‘speak’ for themselves, the idea of a one and only ‘natural’ grouping is a myth (Dale 1988).

Sometimes the groups resulting from a plot-grouping algorithm are modified *a posteriori*, with the aim to facilitate the calibration of assignment rules and achieve consistency between these and the definition of vegetation types (e.g. Li et al. 2013). For example, when diagnostic species are calculated from the results of clustering, re-assignment of the plots might be necessary in order to achieve a consistent classification (Willner 2011; Luther-Mosebach et al. 2012).

Evaluation of vegetation types

Following Gauch & Whittaker (1981), we distinguish *internal* and *external* evaluation criteria (Table 7). Internal criteria evaluate the appropriateness of the vegetation types by using the primary vegetation attributes. Internal evaluation is often used to choose among alternative

grouping procedures, or to choose between alternative parameterizations of a given procedure, for example to decide on the number of clusters (Tichý et al. 2010; Vendramin et al. 2010). External evaluation uses secondary attributes, or a previous classification of the same plot records, as a benchmark for comparison. In relation to the requirements of a classification (Table 3), external criteria often evaluate the ability of vegetation types to indicate external conditions (e.g. how well the site conditions or the geographic location of a plot can be predicted from its membership to a given unit). Alternatively, one may assess the degree to which vegetation types are identified using external attributes (e.g. whether plot membership can be predicted from environmental conditions).

Characterization of vegetation types

Characterization should include the most important information about vegetation types that different end-users may require. Table 8 summarizes different kinds of information that the characterization of vegetation types may include. Additional information may be added to complement the characterization of vegetation types for particular applications. Examples include assessments of degree of conservation, protection status, vulnerability to invasions, animal habitat suitability, recommendations for management or ecosystem services provided (e.g. Berg et al. 2004, 2014).

Table 7. Evaluation criteria for plot-based classification protocols (compare to Table 3).

Criterion	Explanation
Internal Criteria	
Distinctiveness of units	Evaluates how distinct vegetation types are in terms of primary vegetation attributes. For example, one can evaluate the compactness and between-cluster separation in the multivariate space (e.g. Carranza et al. 1998; Aho et al. 2008; Roberts 2015)
Similar internal heterogeneity	Evaluation of the similarity of vegetation types in their internal heterogeneity (e.g. compositional variability)
Classification stability	Evaluates whether similar units are obtained (1) in a slightly modified data set (e.g. bootstrapped, or with a few plots added, deleted or replaced, or jittering abundance values; e.g. Tichý et al. 2011); or (2) in parallel non-overlapping subsets, selected randomly from the same data set or sampled independently in the same area (e.g. Botta-Dukát 2008)
Identifiability of units	Evaluates the ability to easily identify the vegetation types using a subset of the primary vegetation attributes, for example with diagnostic species (Willner 2006)
External Criteria	
Environmental evaluation	Evaluates the compactness and differentiation of vegetation units in environmental space, often by using multivariate statistics (e.g. Orłóci 1978; Hakes 1994)
Geographic evaluation	Evaluates the appropriateness of the vegetation type from its spatial distribution. For example, it may be important to assess whether the geographic extent of a given vegetation unit is too small; or whether the geographic ranges of vegetation units overlap or correspond to some meaningful biogeographic regions (e.g. Loidi et al. 2010)
Evaluation by using taxon traits	Evaluates the predictive value with respect to biogeography, population ecology or ecological requirements of their component taxa by examining taxon attributes such as distribution range, functional traits or life history
Comparison with an alternative classification	Evaluation by comparison to a previous classification of the same plots. For example, to determine the algorithm and parameterization that best fits the criteria used by experts in the definition of the legacy classification (e.g. Grabherr et al. 2003)

Table 8. Characterization criteria for plot-based vegetation types.

Criterion	Examples
Primary Characterization	
Average values or typical plot records	Mean values of the primary vegetation attributes (e.g. a species constancy column) Designation of the most typical plot record(s)
Internal heterogeneity	Range of values in primary vegetation attributes (e.g. range of cover values) Average dissimilarity in primary vegetation attributes (e.g. Jaccard or Bray-Curtis for species composition)
Relationship with other types	Diagnostic species lists Unconstrained ordination
Secondary Characterization	
Additional vegetation attributes	Descriptions of physiognomy, spectra of life forms or chorological elements Descriptions of particular morphological and functional traits
Environmental attributes	Average and range of climatic and soil properties Canonical ordination (within the vegetation type or with respect to other types) Ecological indicator values for species present in the plot records Disturbance intensity and frequency (e.g. browsing, fire, mowing)
Spatial and Temporal Characterization	
Spatial characterization	Geographic extent of the distribution extrapolated from the proportion of plot records assigned to it (for random or systematic sampling designs) Showing the locations of vegetation plots on maps or by depicting plot densities per vegetation type in grid maps Vegetation maps generated using spatial vegetation modelling techniques Spatial relationships (e.g. mosaics or catenas) with other vegetation types
Temporal characterization	Seasonal (phenological) and non-seasonal temporal variability Dynamic (e.g. successional) relationships with other vegetation types

Examples

The following examples have been chosen to illustrate our comparative framework. Although we tried to include frequently used approaches, our selection is neither comprehensive nor is meant as a recommendation of preferred approaches.

Physiognomic approaches

The first classification attempts ever made for large areas were physiognomic (Grisebach 1838). Most physiognomic classifications are not plot-based, in the sense that plot records are not used to define vegetation types and classification keys (e.g. UNESCO 1973). An example of a modern, plot-based, physiognomic system is that adopted for the Australian National Vegetation Information System (see Beard & Webb 1972; Walker & Hopkins 1990; ESCAVI 2003). This system has six hierarchical levels and is primarily physiognomic, although floristic composition also plays a role. Vegetation types in each level arise as combinations of predefined categories. Nested relationships between vegetation types are ensured because the sets of primary vegetation attributes used at coarser levels are a subset of those used at finer levels: 'Classes' (level I) are defined according to the dominant growth form of the dominant stratum, whereas 'structural formations' (level II) are defined as the combination of dominant growth form, cover class and height class for the dominant stratum.

Levels III and IV incorporate the dominant genus of the dominant stratum and of three strata, respectively, as classification criterion; additional floristic criteria are considered for levels V and VI. Whereas the system has a predefined set of vegetation types for the two uppermost levels, the vegetation types of the remaining levels are defined when using the set of predefined categories and a specific grammar to describe individual plot records, as in other descriptive physiognomic approaches (e.g. Danseureau 1951). The protocols in this system can be labelled as *plot-based*, but they are fundamentally distinct to floristic approaches, which typically use formal procedures to group plot records.

Dominant species approaches

Although species dominance has long been used as a classification criterion to informally classify forest stands, there are formal classification approaches that use this as the main classification criterion of low-level units. The ecological scope of dominant species approaches is often limited to floristically poor areas, because the concept of species dominance is difficult to apply as a classification criterion to communities composed of large numbers of species, such as lowland tropical forests.

One example of dominant species approach is that proposed by Du Rietz (1930) and employed in Northern Europe, where the 'sociation' was the basic unit of vegetation classification (see Mueller-Dombois & Ellenberg 1974;

Trass & Malmer 1978). The protocols for sociations were plot-based and use the dominant species of each vegetation layer as primary vegetation attribute. Another hierarchical level was that of ‘consociations’, which were type-based classes of sociations whose uppermost layer was dominated by the same species. Thus, in this case building definitions of vegetation types in the bottom-up direction ensured their nestedness. Another example of species dominance approach is the one used for some time in British and North American ecology, where vegetation was classified according to ‘dominance types’ (Whittaker 1978b). Dominance types were defined by the dominance (in terms of importance values) of one or more species in the uppermost layer, thus resembling the notion of consociation. In Russia, the most successful classification approach, developed by Sukachev (1928), was similar to that of Du Rietz. The units from the ‘association’ (close to the ‘sociation’ of Du Rietz) to the ‘formation’ levels were defined by dominance criteria, while additional coarser classification levels were defined according to vegetation physiognomy (Aleksandrova 1978).

Floristic approaches

Under this label we include classification approaches whose lowest level units are defined according to the complete (or nearly so) taxonomic composition. These are often called *phytosociological* approaches, although the term *phytosociology* can be also used for plot-based vegetation classification in general (Dengler et al. 2008).

Traditional Braun-Blanquet approach

The Braun-Blanquet approach (Braun-Blanquet 1964) aims at producing a universal classification system including vegetation of any kind. The following description is based on Westhoff & van der Maarel (1973). Vegetation units in the traditional Braun-Blanquet approach are arranged into four main hierarchical levels, with ‘association’ being the basic one, followed by ‘alliance’, ‘order’ and ‘class’. All vegetation types (called *syntaxa*) are defined by floristic composition as the primary vegetation attribute. The basic unit, association, is defined by a *characteristic species combination*, which includes diagnostic species (i.e. species that find their optimum within the vegetation type and/or that allow differentiation between the current and closely-related types), and constant companions (i.e. species with high frequency). In contrast, primary vegetation attributes at higher hierarchical levels (alliance up to class) are normally restricted to diagnostic species. In the case of associations, classification protocols are plot-based and class definition procedures include

preferential sampling, the rearrangement of compositional tables according to groups of differentiating species and the comparison of preliminary plot groupings with the floristic composition of types already defined. Uniform physiognomy and environmental conditions can be regarded as validation criteria for new associations, in addition to the requirement of distinct species composition. Classification protocols for vegetation types of higher rank are type-based and, broadly speaking, class definition procedures include the identification of groups of species whose occurrence is restricted to a group of types of the lower rank.

Modern variants of the Braun-Blanquet approach

The Braun-Blanquet approach has followers in many parts of the world, although it has been most extensively applied in Europe. Due to the long tradition of this approach and the lack of a central coordination, many different variants have emerged and been applied in different countries and époques. This has led to classification systems that widely differ between regions and countries, which in extreme cases might share not much more than common naming conventions (syntaxonomy) and a similar typological resolution. Variations can be in the choice of primary vegetation attributes. In some cases, a complementary or prominent role is given to dominant species. In others, vegetation structure or physiognomy is considered in addition to floristic composition (e.g. Landucci et al. 2015). The use of constraining attributes also differs across applications of the method, particularly regarding types of high rank. Class definition procedures are varied, ranging from expert-based approaches to highly formalized node-based or boundary-based plot-grouping algorithms. In fact, most of the methodological alternatives listed in section ‘Critical decisions: plot-based class definition procedures’ have been used in modern applications of the Braun-Blanquet approach. The structural requirements for classification hierarchies, and the role that diagnostic species play, also widely vary between different variants (and are often not made explicit). Modern Braun-Blanquetian classification systems with one or several explicit and detailed classification protocols include those of the Netherlands (Schaminée et al. 1995 et seq.), the German state of Mecklenburg-Vorpommern (Berg et al. 2004), the Czech Republic (Chytrý 2007–2013) and the woody vegetation of Austria (Willner & Grabherr 2007).

British National Vegetation Classification

The British National Vegetation Classification (Rodwell 1991–2000) is an example of a classification system where

a clear classification approach has been consistently followed. It can be considered either as one of the modern variants of the Braun-Blanquet approach or as an independent phytosociological approach. Four plot-based classification protocols can be distinguished, due to variation in spatial grain: four plot sizes were used to sample different vegetation types depending on the size of dominant plants. Primary vegetation attributes were the complete species list, including cryptogams, with cover being recorded using the Domin scale. Field sampling locations followed a preferential design; and data sets of new plots sampled in the field were complemented with additional plot records from previous studies. Sets of plots were grouped using the TWINSpan algorithm (Hill 1979). Vegetation types, called ‘communities’, were the product of many rounds of analyses, with classification stability and expert-based assessment being used as validation criteria. Primary characterization included constancy classes and the range of cover values for all species. Although the classification system has one main classification level, vegetation types were presented in 12 major vegetation groups. Manual classification keys exist but an automated assignment procedure for new plots was developed based on the similarity of these plots with constancy columns of particular communities (Hill 1989).

Synusial approaches

The traditional Braun-Blanquet approach and its modern variants are restricted to the classification of *phytocoenoses*, i.e. assemblages that include all plants (or at least all vascular plants) of the community. However, other branches of phytosociology have focused on the classification of *synusiae* – one-layered, ecologically homogeneous assemblages (e.g. epiphytic or epilithic communities, herbaceous communities, shrubby fringe communities) – using similar classification approaches (see Barkman 1980). A modern example is the Integrated Synusial approach, developed in Switzerland and France (Gillet et al. 1991; Gillet & Gallandat 1996; Julve 1998–2014). This approach implies having separate plot records and building separate CCS for each category of *synusiae*, i.e. tree, shrub, herb and cryptogam layers. Synusial vegetation types are called ‘elementary syntaxa’. Class definition procedures for elementary syntaxa are very similar to those of the Braun-Blanquet approach, although with some notable differences in the sampling protocols (Gillet et al. 1991). After elementary syntaxa are defined, a type-based CCS can be created for the classification of complete *phytocoenoses*, based on their synusial composition. For this purpose, plot records are made of lists of elementary syntaxa and they are subsequently compared and grouped as plot records of taxa in the Braun-Blanquet approach.

The EcoVeg approach

EcoVeg (USFGDC 2008; Jennings et al. 2009; Faber-Langendoen et al. 2014) is an integrated physiognomic–floristic–ecological classification approach that aims to systematically classify all of the world’s existing vegetation, preferably using vegetation plots. EcoVeg has broadly distinct protocols for natural/semi-natural vs cultural vegetation, including separate eight-level hierarchies. Within each hierarchy there are somewhat distinct protocols for three sets of levels (upper, mid and low levels). For natural and semi-natural vegetation, the upper levels (L1: ‘Formation class’; L2: ‘Formation subclass’; L3: ‘Formation’) use classification protocols based on growth forms as primary vegetation attributes; the mid levels (L4: ‘Division’; L5: ‘Macrogroup’; L6: ‘Group’) use protocols based on both growth forms and floristic composition; and the lower levels (L7: ‘Alliance’; L8: ‘Association’) use protocols based on floristic composition only. In addition to the primary vegetation attributes, protocols also include also the specification of constraining attributes. For example, ‘Formation Subclasses’ (L2) of natural vegetation are defined using combinations of dominant and diagnostic growth forms that are chosen to reflect specific global macro-climatic factors (e.g. tropical vs temperate) or macro-substrate factors (e.g. saltwater vs freshwater). All cases type definitions are boundary-based. Although not all levels are plot-based, the goal of this approach is to document all types at all levels from plot data, using a dynamic peer review process. The characterization of types includes the vegetation attributes, environment, dynamics, key diagnostic features, geographic range and synonymy. Levels L5–L8 of EcoVeg are similar to the ‘class’, ‘order’, ‘alliance’ and ‘association’ levels of the Braun-Blanquet approach.

Concluding remarks

The development of common concepts and terminology is essential for providing a global perspective to vegetation classification approaches. Working towards that end, the broad international authorship of this article extensively discussed various concepts, often specific to local and regional traditions, and finally was able to accept certain conventions. The framework presented here will be useful for describing and comparing both new and legacy classification approaches. We tried to avoid being overly prescriptive because our aim was not to compare the advantages and disadvantages of the different classification approaches and protocols. Nevertheless, we feel that our globalized world will sooner or later require international conventions with respect to vegetation classification practices. Because a single, universally valid, classification approach may not satisfy everybody, users and developers of

vegetation classifications should work together to seek commonalities among the different approaches and, ultimately, promote a set of conventional, harmonized practices adapted for different situations. For example, standard guidelines could be recommended for the development of CCS conditioned on the choices made by the user regarding the ecological scope (e.g. temperate forest vegetation), primary vegetation attributes (e.g. floristic composition or morpho-functional attributes) and typological resolution (e.g. associations or formations). This huge task demands operative and shared definitions forming a common vocabulary, and the main goal of the framework in this paper was to provide direction for this process.

The need for broad-scale classification systems has recently driven European vegetation scientists to work hard on the integration of CCS and classification systems that the application of the different variants of the Braun-Blanquet approach has produced in different areas. This task is particularly challenging due to the multiplicity of approaches and because the validity of diagnostic species and floristic vegetation types is inherently geographically limited. Integration of CCS is usually done at the national or regional scale through compilation of national monographs or hierarchical lists of vegetation types (Jiménez-Alfaro et al. 2014). Only relatively recently, have CCS been developed for all the vegetation types of whole countries or states, such as in the Netherlands (Schaminée et al. 1995 et seq.) and the Czech Republic (Chytrý 2007–2013); and initiatives exist for larger areas (e.g. Dengler et al. 2013; Walker et al. 2013). Establishing plot-based CCS for types of high hierarchical rank at sub-continental to continental scales is also a relatively new development (e.g., Zechmeister & Mucina 1994; Eliáš et al. 2013), and raises the question of how the types in these new CCS can be related to types of lower rank. We believe that the framework presented here will be useful for this integration task, as it will contribute to the understanding of the differences between the approaches employed to develop the different legacy classification systems. Moreover, it will force integrated systems to be explicit about the different CCS and the protocols used in each section.

In addition to the promotion of standard approaches and the integration of classification systems produced using similar approaches, it will be necessary to relate vegetation types defined in classification systems having the same scope but produced using very different approaches. Referencing across legacy classifications may facilitate their preservation and avoid the problems of forcing their integration into a single framework. In the particular case of classification approaches having similar protocols at fine typological resolution, as happens for associations and alliances of the Braun-Blanquet and EcoVeg approaches,

another alternative may be the harmonization of vegetation type definitions (i.e. building cross-walks) at these levels of resolution, a strategy that would ensure both the compatibility of classification systems and the preservation of original classification criteria at coarser levels of resolution.

Acknowledgements

The views expressed in this paper result from the exchange of ideas among its authors during a workshop organized by the Vegetation Classification Committee of the International Association for Vegetation Science (IAVS), held in Rome in April 2013, and subsequent discussions. The International Association for Vegetation Science (IAVS) supported the workshop leading to this contribution. Additional funding to M.D.C. came from Masaryk University and from a fellowship of the Spanish Ministry of Economy and Competitiveness (RYC-2012-11109). M.C. and L.T. were supported by the Czech Science Foundation (P505/11/0732). R.G. was supported by REMEDINAL3-CM (S2013/MAE-2719), B.C. by the Bolyai grant of the Hungarian Academy of Sciences, and L.M. acknowledges the Iluka Chair (University of Western Australia). The authors would like to thank Andy Gillison for participating in the discussions around this topic.

Author contributions

M.D.C., with contributions from M.C., took leadership in structuring and writing the manuscript, whereas the remaining authors participated in the workshop discussions and substantially enhanced the different versions of the manuscript by contributing with text and ideas. The resulting paper reflects a consensus view of the authors.

References

- Aho, K., Roberts, D.W. & Weaver, T. 2008. Using geometric and non-geometric internal evaluators to compare eight vegetation classification methods. *Journal of Vegetation Science* 19: 549–562.
- Aleksandrova, V.D. 1978. Russian approaches to classification. In: Whittaker, R.H. (ed.) *Classification of plant communities*, pp. 167–200. Dr. W. Junk, The Hague, NL.
- Barkman, J.J. 1980. Synusial approaches to classification. In: Whittaker, R.H. (ed.) *Classification of plant communities*, pp. 111–165. Dr. W. Junk, The Hague, NL.
- Barkman, J.J. 1989. A critical evaluation of minimum area concepts. *Vegetatio* 85: 89–104.
- Barkman, J.J. 1990. A tentative typology of European scrub and forest communities based on vegetation texture and structure. *Vegetatio* 86: 131–141.

- Beard, J.S. & Webb, M.J. 1972. *The vegetation survey of Western Australia, its aims, objects and methods. Part I of explanatory notes to Sheet 2: Great Sandy Desert. Vegetation Survey of Western Australia: 1:1,000,000 Vegetation Series*. University of Western Australia Press, Perth, AU.
- Berg, C., Dengler, J., Abdank, A. & Isermann, M. (eds.) 2004. *Die Pflanzengesellschaften Mecklenburg-Vorpommerns und ihre Gefährdung – Textband*. Weissdorn, Jena, DE.
- Berg, C., Abdank, A., Isermann, M., Jansen, F., Timmermann, T. & Dengler, J. 2014. Red Lists and conservation prioritization of plant communities – a methodological framework. *Applied Vegetation Science* 17: 403–515.
- Botta-Dukát, Z. 2008. Validation of hierarchical classifications by splitting dataset. *Acta Botanica Hungarica* 50: 73–80.
- Botta-Dukát, Z., Kovács-Láng, E., Rédei, T., Kertész, M. & Garadnai, J. 2007. Statistical and biological consequences of preferential sampling in phytosociology: theoretical considerations and a case study. *Folia Geobotanica* 42: 141–152.
- Braun-Blanquet, J. 1964. *Pflanzensoziologie. Grundzüge der Vegetationskunde*. 3. Aufl. Springer, Wien, AT.
- Bruelheide, H. 1997. Using formal logic to classify vegetation. *Folia Geobotanica* 32: 41–46.
- Carleton, T., Stitt, R. & Nieppola, J. 1996. Constrained indicator species analysis (COINSPAN): an extension of TWINSPAN. *Journal of Vegetation Science* 7: 125–130.
- Carranza, L., Feoli, E. & Ganis, P. 1998. Analysis of vegetation structural diversity by Burnaby's similarity index. *Plant Ecology* 138: 77–87.
- Chytrý, M. (ed.) 2007–2013. *Vegetace České republiky*. Vol. 1–4. Academia, Praha, CZ.
- Chytrý, M. & Otýpková, Z. 2003. Plot sizes used for phytosociological sampling of European vegetation. *Journal of Vegetation Science* 14: 563–570.
- Cooper, A., McCann, T. & Bunce, R.G.H. 2006. The influence of sampling intensity on vegetation classification and the implications for environmental management. *Environmental Conservation* 33: 118–127.
- Dale, M. 1988. Knowing when to stop: cluster Concept-Concept Cluster. *Coenoses* 3: 11–32.
- Dansereau, P. 1951. Description and recording of vegetation upon a structural basis. *Ecology* 32: 172–229.
- De Cáceres, M. & Wiser, S.K. 2012. Towards consistency in vegetation classification. *Journal of Vegetation Science* 23: 387–393.
- De Cáceres, M., Font, X. & Oliva, F. 2010. The management of vegetation classifications with fuzzy clustering. *Journal of Vegetation Science* 21: 1138–1151.
- De Cáceres, M., Legendre, P., Wiser, S.K. & Brotons, L. 2012. Using species combinations in indicator value analyses. *Methods in Ecology and Evolution* 3: 973–982.
- De Candolle, A.P. 1855. *Géographie botanique raisonnée ou exposition des faits principaux et des lois concernant la distribution géographique des plantes de l'époque actuelle*. Masson, Paris, FR.
- De Gruijter, J.J., Bierkens, M.F.P., Brus, D.J. & Knotters, M. 2006. *Sampling for natural resource monitoring*. Springer, Berlin, DE.
- De'ath, G. 1999. Extended dissimilarity: a method of robust estimation of ecological distances from high beta diversity data. *Plant Ecology* 144: 191–199.
- Dengler, J., Chytrý, M. & Ewald, J. 2008. Phytosociology. In: Jørgensen, S.E. & Faith, B.D. (eds.) *Encyclopedia of ecology*, vol 4, pp. 2767–2779. Elsevier, Oxford, UK.
- Dengler, J., Löbel, S. & Dolnik, C. 2009. Species constancy depends on plot size – a problem for vegetation classification and how it can be solved. *Journal of Vegetation Science* 20: 754–766.
- Dengler, J., Jansen, F., Glöckler, F., Peet, R.K., De Cáceres, M., Chytrý, M., Ewald, J., Oldeland, J., Lopez-Gonzalez, G., (...) & Spencer, N. 2011. The Global Index of Vegetation-Plot Databases (GIVD): a new resource for vegetation science. *Journal of Vegetation Science* 22: 582–597.
- Dengler, J., Bergmeier, E., Willner, W. & Chytrý, M. 2013. Towards a consistent classification of European grasslands. *Applied Vegetation Science* 16: 518–520.
- Dierschke, H. 1994. *Pflanzensoziologie – Grundlagen und Methoden*. E. Ulmer, Stuttgart, DE.
- Du Rietz, G.E. 1930. Vegetationsforschung auf soziationsanalytischer Grundlage. *Handb. Biol. Arbmet.* 11: 293–480.
- Eliáš, P. Jr., Sopotlieva, D., Dítě, D., Hájková, P., Apostolova, I., Senko, D., Melečková, Z. & Hájek, M. 2013. Vegetation diversity of salt-rich grasslands in Southeast Europe. *Applied Vegetation Science* 16: 521–537.
- ESCAVI. 2003. *Australian vegetation attribute manual: National Vegetation Information System, Version 6.0*. Executive Steering Committee for Australian Vegetation Information Department of the Environment and Heritage, Canberra, AU.
- European Commission. 2013. *Interpretation manual of European Union habitats. EUR 28*. European Commission, Brussels, BE.
- Everitt, B.S., Landau, S., Leese, M. & Stahl, D. 2011. *Cluster analysis*. J. Wiley & Sons, Chichester, UK.
- Faber-Langendoen, D., Keeler-Wolf, T., Meidinger, D., Tart, D., Hoagland, B., Josse, C., Navarro, G., Ponomarenko, S., Saucier, J.-P., Weakley, A. & Comer, P. 2014. EcoVeg: a new approach to vegetation description and classification. *Ecological Monographs* 84: 533–561.
- Faith, D.P., Minchin, P.R. & Belbin, L. 1987. Compositional dissimilarity as a robust measure of ecological distance. *Vegetatio* 69: 57–68.
- Feoli, E. 1984. Some aspects of classification and ordination of vegetation data in perspective. *Studia Geobotanica* 4: 7–21.
- Fosberg, F.R. 1961. A classification of vegetation for general purposes. *Tropical Ecology* 2: 1–28.
- Gauch, H.G. Jr & Whittaker, R.H. 1981. Hierarchical classification of community data. *Journal of Ecology* 69: 537–557.
- Gillet, F. & Gallandat, J.-D. 1996. Integrated synusial phytosociology: some notes on a new, multiscale approach to vegetation analysis. *Journal of Vegetation Science* 7: 13–18.
- Gillet, F., de Foucault, B. & Julve, P. 1991. La phytosociologie synusiale intégrée: objets et concepts. *Candollea* 46: 315–340.

- Gillison, A.N. 2013. Plant functional types and traits at the community, ecosystem and world level. In: Van der Maarel, E. & Franklin, J. (eds.) *Vegetation ecology*, 2nd ed, pp. 347–386. Wiley-Blackwell, Chichester, UK.
- Grabherr, G., Reiter, K. & Willner, W. 2003. Towards objectivity in vegetation classification: the example of the Austrian forests. *Plant Ecology* 169: 21–34.
- Grisebach, A. 1838. Ueber den Einfluss des Klimas auf die Begrenzung der natürlichen Floren. *Linnaea* 12: 159–200.
- Hakes, W. 1994. On the predictive power of numerical and Braun-Blanquet classification: an example from beechwoods. *Journal of Vegetation Science* 5: 153–160.
- Hill, M.O. 1979. *TWINSPAN – a FORTRAN program for arranging multivariate data in an ordered two-way table by classification of the individuals and attributes*. Cornell University, Ithaca, NY, US.
- Hill, M.O. 1989. Computerized matching of relevés and association tables, with an application to the British National Vegetation Classification. *Vegetatio* 83: 187–194.
- Jennings, M.D., Faber-Langendoen, D., Loucks, O.L., Peet, R.K. & Roberts, D. 2009. Standards for associations and alliances of the U.S. National Vegetation Classification. *Ecological Monographs* 79: 173–199.
- Jiménez-Alfaro, B., Chytrý, M., Rejmánek, M. & Mucina, L. 2014. The number of vegetation types in European countries: major determinants and extrapolation to other regions. *Journal of Vegetation Science* 25: 863–872.
- Julve, P. 1998–2014. Baseveg – Répertoire synonymique des unités phytosociologiques de France. Available at: <http://perso.wanadoo.fr/philippe.julve/catminat.htm>.
- Kenkel, N.C., Juhász-Nagy, P. & Podani, J. 1989. On sampling procedures in population and community ecology. *Vegetatio* 83: 195–207.
- Kent, M. 2012. *Vegetation description and data analysis: a practical approach*, 2nd ed. Wiley-Blackwell, Chichester, UK.
- Knollová, I., Chytrý, M., Tichý, L. & Hájek, O. 2005. Stratified resampling of phytosociological databases: some strategies for obtaining more representative data sets for classification studies. *Journal of Vegetation Science* 16: 479–486.
- Kočí, M., Chytrý, M. & Tichý, L. 2003. Formalized reproduction of an expert-based phytosociological classification: a case study of subalpine tall-forb vegetation. *Journal of Vegetation Science* 14: 601–610.
- Landucci, F., Tichý, L., Šumberová, K. & Chytrý, M. 2015. Formalized classification of species-poor vegetation: a proposal of a consistent protocol for aquatic vegetation. *Journal of Vegetation Science*. doi: 10.1111/jvs.12277.
- Legendre, P. & De Cáceres, M. 2013. Beta diversity as the variance of community data: dissimilarity coefficients and partitioning. *Ecology Letters* 16: 951–963.
- Legendre, P. & Legendre, L. 2012. *Numerical ecology*, 3rd ed. Elsevier, Amsterdam, NL.
- Lengyel, A. & Podani, J. 2015. Assessing the relative importance of methodological decisions in classifications of vegetation data. *Journal of Vegetation Science*. doi:10.1111/jvs.12268.
- Lengyel, A., Chytrý, M. & Tichý, L. 2011. Heterogeneity-constrained random resampling of phytosociological databases. *Journal of Vegetation Science* 22: 175–183.
- Li, C.-F., Chytrý, M., Zelený, D., Chen, M.-Y., Chen, T.-Y., Chiou, C.-R., Hsia, Y.-J., Liu, H.-Y., Yang, S.-Z., (...) & Hsieh, C.-F. 2013. Classification of Taiwan forest vegetation. *Applied Vegetation Science* 16: 698–719.
- Loidi, J., Biurrun, I., Campos, J.A., Garcia-Mijangos, I. & Herrera, M. 2010. A biogeographical analysis of the European Atlantic lowland heathlands. *Journal of Vegetation Science* 21: 832–842.
- Luther-Mosebach, J., Dengler, J., Schmiedel, U., Röwer, I.U., Labitzky, T. & Gröngroft, A. 2012. A first formal classification of the Hardeveld vegetation in Namaqualand, South Africa. *Applied Vegetation Science* 15: 401–431.
- Möller, H. 1993. “Pflanzengesellschaft” als Typus und als Gesamtheit von Vegetationsausschnitten. Versuch einer begrifflichen Klärung. *Tuexenia* 13: 11–21.
- Mucina, L. 1997. Classification of vegetation: past, present and future. *Journal of Vegetation Science* 8: 751–760.
- Mucina, L. & van der Maarel, E. 1989. Twenty years of numerical syntaxonomy. *Vegetatio* 81: 1–15.
- Mueller-Dombois, D. & Ellenberg, H. 1974. *Aims and methods of vegetation ecology*. J. Wiley & Sons, New York, NY, US.
- Neldner, V.J., Wilson, B.A., Thompson, E.J. & Dillewaard, H.A. 2012. *Methodology for survey and mapping of regional ecosystems and vegetation communities in Queensland*. Version 3.2. Updated August 2012. Queensland Herbarium, Queensland Department of Science, Information Technology, Innovation and the Arts, Brisbane, AU.
- Orlóci, L. 1978. *Multivariate analysis in vegetation research*. Dr. W. Junk, The Hague, NL.
- Otýpková, Z. & Chytrý, M. 2006. Effects of plot size on the ordination of vegetation samples. *Journal of Vegetation Science* 17: 465–472.
- Peet, R.K. & Roberts, D.W. 2013. Classification of natural and semi-natural vegetation. In: van der Maarel, E. & Franklin, J. (eds.) *Vegetation ecology*, 2nd ed, pp. 28–70. Oxford University Press, New York, NY, US.
- Peet, R.K., Wentworth, T.R. & White, P.S. 1998. A flexible, multipurpose method for recording vegetation composition and structure. *Castanea* 63: 262–274.
- Pignatti, S., Oberdorfer, E., Schaminée, J.H.J. & Westhoff, V. 1995. On the concept of vegetation class in phytosociology. *Journal of Vegetation Science* 6: 143–152.
- Podani, J. 1994. *Multivariate data analysis in ecology and systematics: a methodological guide to the SYN-TAX 5.0 package*. SPB Academic, The Hague, NL.
- Poore, M.E.D. 1955. The use of phytosociological methods in ecological investigations: I. The Braun-Blanquet system. *Journal of Ecology* 43: 226–244.
- Reed, R.A., Peet, R.K., Palmer, M.W. & White, P.S. 1993. Scale dependence of vegetation–environment correlations: a case study of a North Carolina piedmont woodland. *Journal of Vegetation Science* 4: 329–340.

- Roberts, D.W. 2015. Vegetation classification by two new iterative reallocation optimization algorithms. *Plant Ecology* 216: 741–758.
- Rodwell, J.S. (ed.) 1991–2000. *British plant communities*. Vol. 1–5. Cambridge University Press, Cambridge, UK.
- Roleček, J., Chytrý, M., Hájek, M., Lvončík, S. & Tichý, L. 2007. Sampling design in large-scale vegetation studies: do not sacrifice ecological thinking to statistical purism!. *Folia Geobotanica* 42: 199–208.
- Roleček, J., Tichý, L., Zelený, D. & Chytrý, M. 2009. Modified TWINSpan classification in which the hierarchy respects cluster heterogeneity. *Journal of Vegetation Science* 20: 596–602.
- Schaminée, J.H.J., Stortelder, A.H.F. & Weesthoff, V. (eds.) 1995. *De vegetatie van Nederland – Deel 1. Inleiding tot de plantensociologie – grondslagen, methoden en toepassingen*. Opulus, Uppsala, SE.
- Schmidtlein, S., Tichý, L., Feilhauer, H. & Faude, U. 2010. A brute-force approach to vegetation classification. *Journal of Vegetation Science* 21: 1162–1171.
- Shaukat, S.S. 1989. A technique for species weighting and its utility in data reduction and minimization of misclassification. *Coenoses* 4: 163–168.
- Sukachev, V.N. 1928. *Vegetation communities: introduction to phytosociology*. Kniga, Leningrad, RU (in Russian).
- Tichý, L., Chytrý, M., Hájek, M., Talbot, S.S. & Botta-Dukát, Z. 2010. OptimClass: using species-to-cluster fidelity to determine the optimal partition in classification of ecological communities. *Journal of Vegetation Science* 21: 287–299.
- Tichý, L., Chytrý, M. & Šmarda, P. 2011. Evaluating the stability of the classification of community data. *Ecography* 34: 807–813.
- Tichý, L., Chytrý, M. & Botta-Dukát, Z. 2014. Semi-supervised classification of vegetation: preserving the good old units and searching for new ones. *Journal of Vegetation Science* 25: 1504–1512.
- Trass, H. & Malmer, N. 1978. North European approaches to classification. In: Whittaker, R.H. (ed.) *Classification of plant communities*, pp. 203–233. Dr W. Junk, The Hague, NL.
- UNESCO. 1973. *International classification and mapping of vegetation*, pp. 1–93. UNESCO Ecology and Conservation Series 6. UNESCO, Paris, FR.
- U.S. Federal Geographic Data Committee. 2008. *National Vegetation Classification Standard, Version 2. FGDC-STD-005-2008 (Version 2)*. Vegetation Subcommittee, Federal Geographic Data Committee, FGDC Secretariat, U.S. Geological Survey, Reston, Virginia, USA.
- Vendramin, L., Campello, R.J.G.B. & Hruschka, E.R. 2010. Relative clustering validity criteria: a comparative overview. *Statistical Analysis and Data Mining* 3: 209–235.
- von Humboldt, A. 1807. *Ideen zu einer Geographie der Pflanzen nebst einem Naturgemälde der Tropenländer*. Cotta, Tübingen, DE.
- Vymazalová, M., Axmanová, I. & Tichý, L. 2012. Effect of intra-seasonal variability on vegetation data. *Journal of Vegetation Science* 23: 978–984.
- Walker, J. & Hopkins, M.S. 1990. Vegetation. In: McDonald, R.C., Isbell, R.F., Speight, J.G., Walker, J. & Hopkins, M.S. (eds) *Australian soil and land survey. Field handbook*, 2nd ed, pp. 1–198. Inkata Press, Melbourne, AU.
- Walker, D., Alsos, I.G., Bay, C., Boulanger-Lapointe, N., Breen, A.L., Bültmann, H., Christensen, T., Damgaard, C., Daniëls, F.J.A., (...) & Wisz, M.S. 2013. Rescuing valuable Arctic vegetation data for biodiversity models, ecosystem models and a panarctic vegetation classification. *Arctic* 66: 133–137.
- Westhoff, V. & van der Maarel, E. 1973. The Braun-Blanquet approach. In: Whittaker, R.H. (ed.) *Classification and ordination of communities*, pp. 289–329. Dr W. Junk, The Hague, NL.
- Whittaker, R.H. 1978a. Approaches to classifying vegetation. In: Whittaker, R.H. (ed.) *Classification of plant communities*, pp. 1–31. Dr W. Junk, The Hague, NL.
- Whittaker, R.H. 1978b. Dominance-types. In: Whittaker, R.H. (ed.) *Classification of plant communities*, pp. 67–79. Dr W. Junk, The Hague, NL.
- Whittaker, R.H. (ed.) 1978c. *Classification of plant communities*. Dr W. Junk, The Hague, NL.
- Wildi, O. 2013. *Data analysis in vegetation ecology*, 2nd ed. Wiley-Blackwell, Chichester, UK.
- Willner, W. 2006. The association concept revisited. *Phytocoenologia* 36: 67–76.
- Willner, W. 2011. Unambiguous assignment of relevés to vegetation units: the example of the Festuco-Brometea and Trifolio-Geranietea sanguinei. *Tuexenia* 31: 271–282.
- Willner, W. & Grabherr, G. 2007. *Die Wälder und Gebüsche Österreichs – Ein Bestimmungswerk mit Tabellen*. 2 vols. Spektrum Akademischer, Heidelberg, DE.
- Wiser, S.K. & De Cáceres, M. 2013. Updating vegetation classifications: an example with New Zealand's woody vegetation. *Journal of Vegetation Science* 24: 80–93.
- Zechmeister, H.G. & Mucina, L. 1994. Vegetation of European springs: high-rank syntaxa of the Montio-Cardaminetea. *Journal of Vegetation Science* 5: 385–402.